

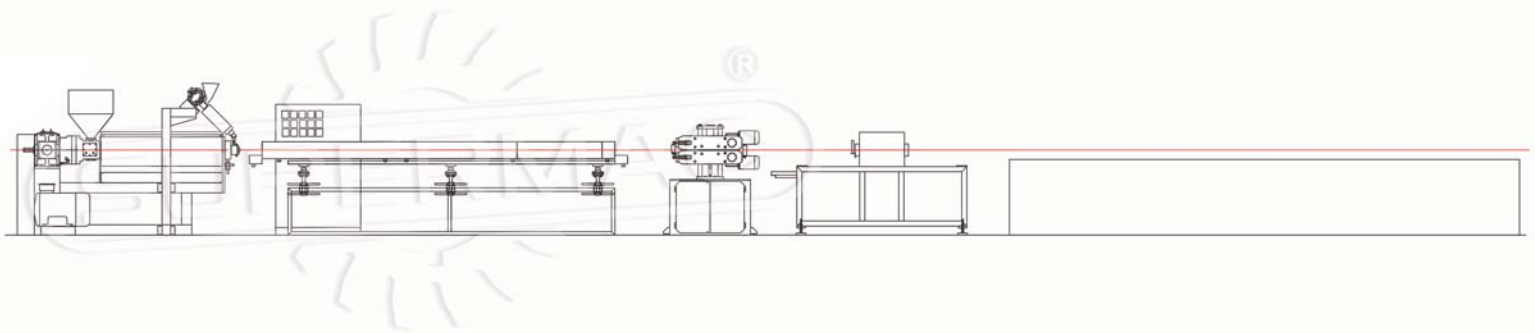


# TUBE LINE FOR MEDICAL INDUSTRY

WORLD CLASS EXTRUSION SYSTEMS

The tube manufacturing line is very sophisticated combination of machines, ensuring the high precision that is required in medical and other precision pipe manufacturing process. It incorporates the online diameter control system, The line can run with cut to length cutter facility, which saves a lot of scrap during production. The extruder selection is done on the pipe size , material and production capacity.

The line is fully automated with PLC and recipes based system which make the operation user friendly. The incorporation of high quality components ensures the continues running in most demanding and challenging environment. The pipe head could be customised as per the need of customer to suit various designs.



**SUPERMAC INDUSTRIES (INDIA) LIMITED**

**AN ISO 9001-2015 CE**

**REGISTERED OFFICE :**

A-29, Naraina Industrial Area  
Phase-1, New Delhi-110 028, INDIA  
Tel.: +91-11-45574317  
E-mail: [office@supermacindia.com](mailto:office@supermacindia.com)

**UNIT-I :**

A-28, Naraina Industrial Area  
Phase-1, New Delhi-110 028, INDIA  
Tel.: +91-11-45574317  
E-mail: [office@supermacindia.com](mailto:office@supermacindia.com)

**UNIT-II :**

Plot No. 2, Sector-6, IMT Manesar  
Gurgaon, Haryana, INDIA  
Tel: +91-124-4690500  
E-mail: [jasvinder@supermacindia.com](mailto:jasvinder@supermacindia.com)

**UNIT-III :**

Plot No.18-19, Sector-2A, IMT Manesar,  
Gurgaon 122050 Haryana, INDIA  
Tel : +91-124-4690500  
E-mail: [jasvinder@supermacindia.com](mailto:jasvinder@supermacindia.com)

Only the contact between the customer & Supermac is binding for any guarantee to commitments. The particular given herein do not represent promises of any special character they purely for general information purposes & may differ in individual cases. No claim of any nature may be derived here from. The observation of commercial trademarks or patents shall in every instance be the responsibility of the customer. Since the products undergoes continues we reserve the right to modify the details. For more details on LV/MV lines for insulation with silane (PE) up to 33 kv & other products contact our marketing department to provide you the appropriate information.

[www.supermacindia.com](http://www.supermacindia.com)